

# Zipper-Wall Banner

---

## *Delivery specifications*

### PDF format

- Do not place any cutting lines or frames around the printable image.
- Convert all fonts into letter outlines.
- Remove all invisible layers from the layout.

### Use of colour

- Use CMYK colours. No LAB colours.
  - For the deepest black, use the following colour codes: CMYK 86/85/79/100 or RGB 0/0/0. When files with both vectors and photos (bitmaps) are used, also use these colour codes in the photos. Otherwise colour differences may arise within the images
- Note: colours can deviate slightly when printed on fabric. A test print is available on special request.***

### Resolution

- We advise a resolution of 70 to 120 dpi (End format).  
*(For example: for photos (bitmaps) on a large format canvas for outdoor use, an end resolution of 30 dpi is sufficient. If the image in the file has 10% of the size of the end format, the image in the file must have a resolution of 300 dpi)*

### Dimensioning

- We always communicate in the sequence width first, then height (w x h).
- Files delivered in the correct ratio (w x h) will automatically be scaled to the requested format.
- Deviations in the ratio (w x h) up to 1.5% are automatically adjusted to the ordered size. If the deviation exceeds 1.5%, we will contact you.
- Image dimensions can deviate slightly due to stretch, shrinkage or the elastic properties of the material.

# Zipper-Wall Banner

## Graphical specifications

### File set-up



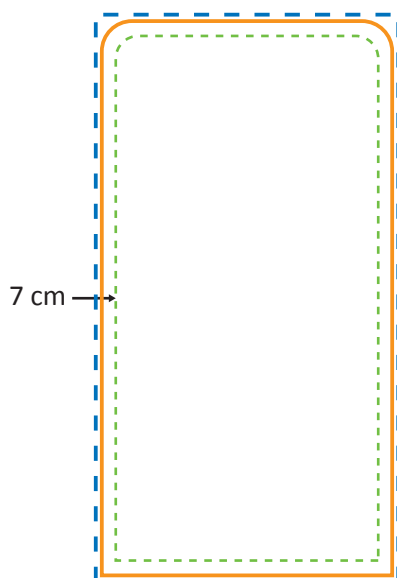
The **blue line** is the outline of the document size.



Confection is done on the **orange line**. This is the final net size.



Important text and images should be placed within the **green line** because of the confection. The green and blue line are **7 cm** apart.



### File supply

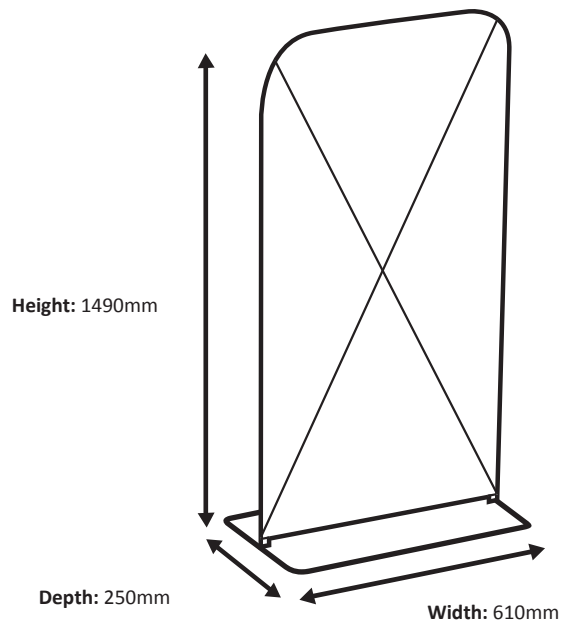
- 1: Please remove all sizes and lines (orange, green and blue).
- 2: Supply on real size in PDF via E-mail / YouSendit / WeTransfer.



# Zipper-Wall Banner 60 x 150cm Graphic (ZWB060-150)

## Specifications

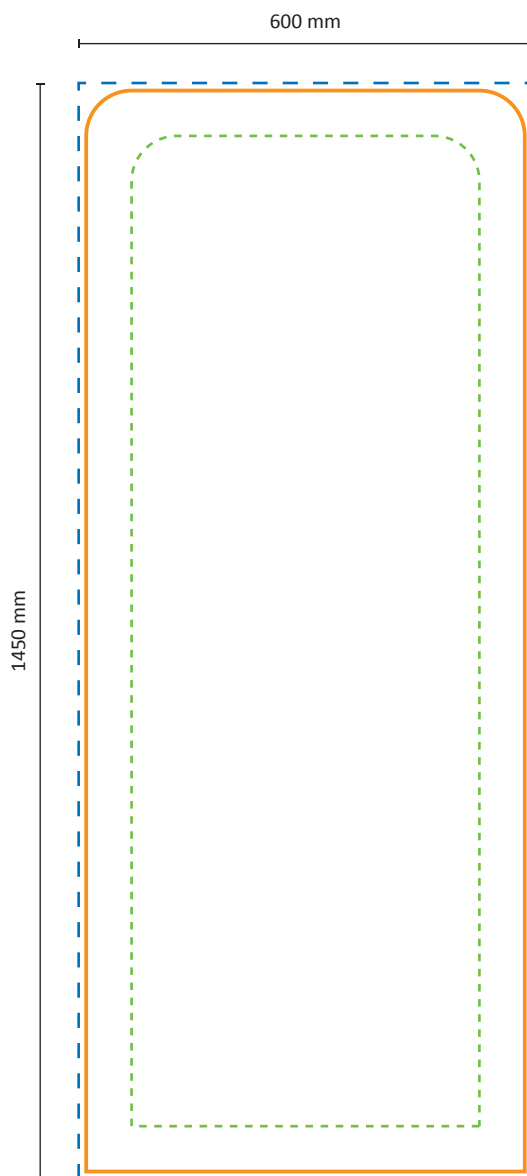
### Frame



### Graphic

Actual size of graphic:

600 \* 1450 mm (W/H)

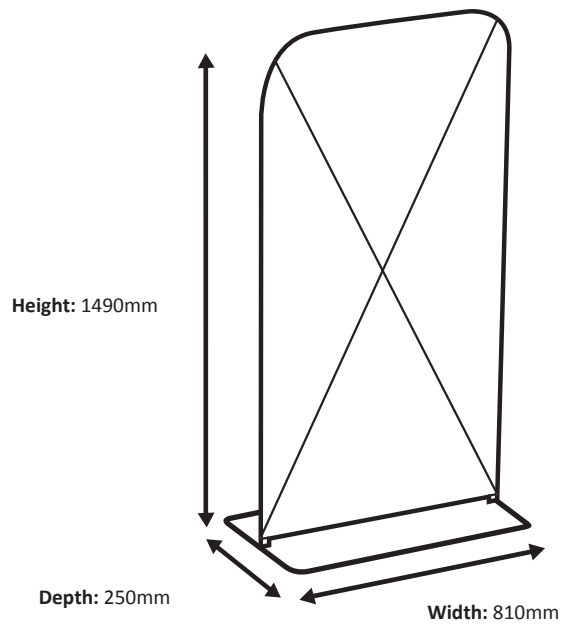


Scale 1:10

# Zipper-Wall Banner 80 x 150cm Graphic (ZWB080-150)

## Specifications

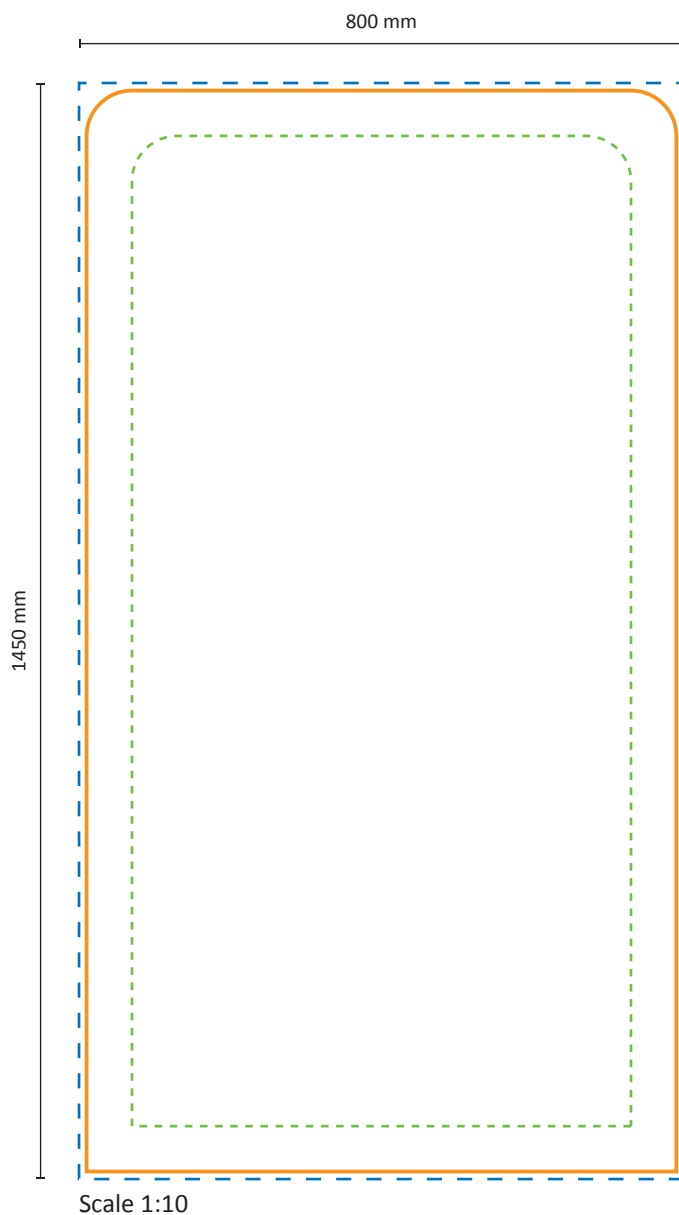
### Frame



### Graphic

Actual size of graphic:

800 \* 1450 mm (W/H)

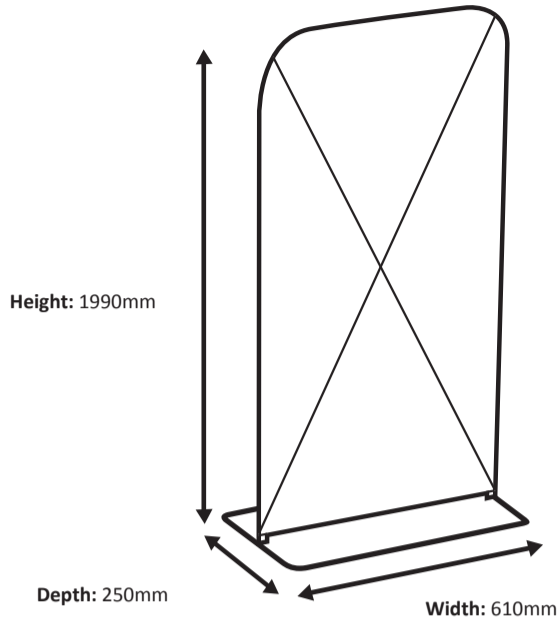


Scale 1:10

# Zipper-Wall Banner 60 x 200cm Graphic (ZWB060-200)

## Specifications

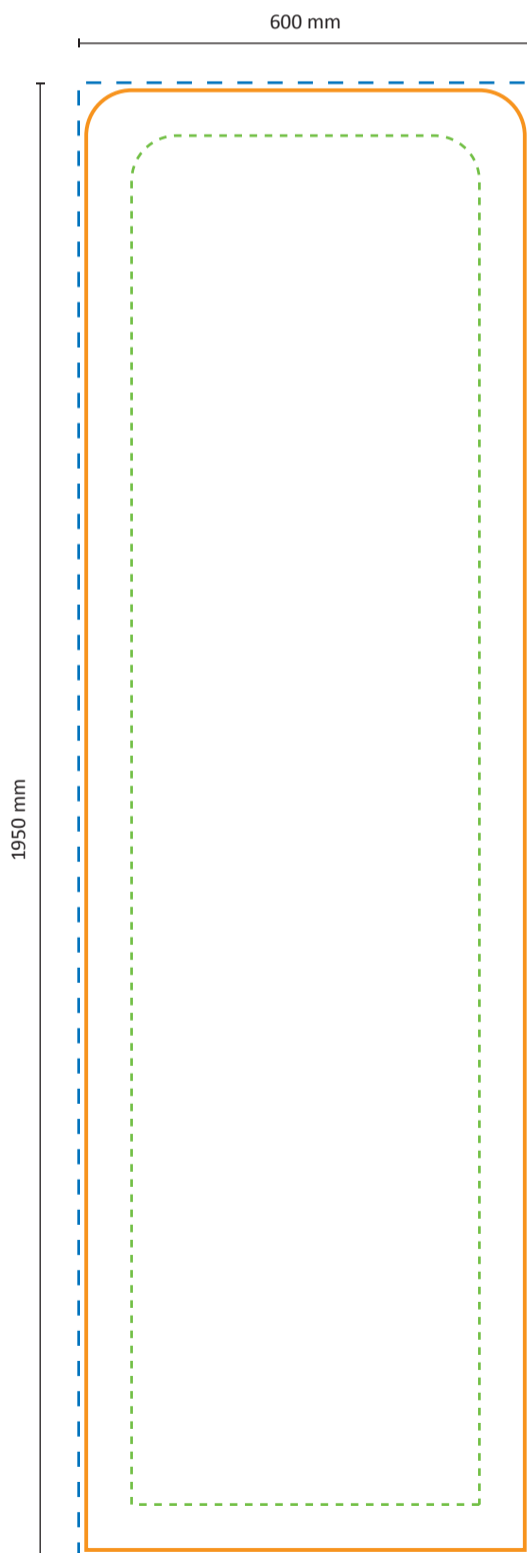
### Frame



### Graphic

Actual size of graphic:

600 \* 1950 mm (W/H)

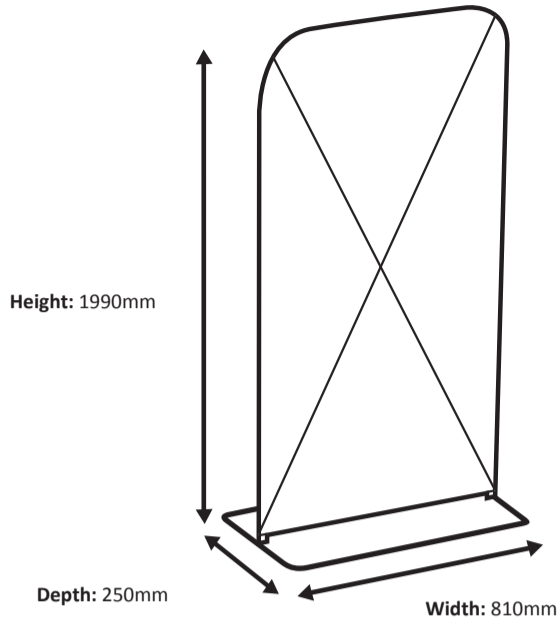


Scale 1:10

# Zipper-Wall Banner 80 x 200cm Graphic (ZWB080-200)

## Specifications

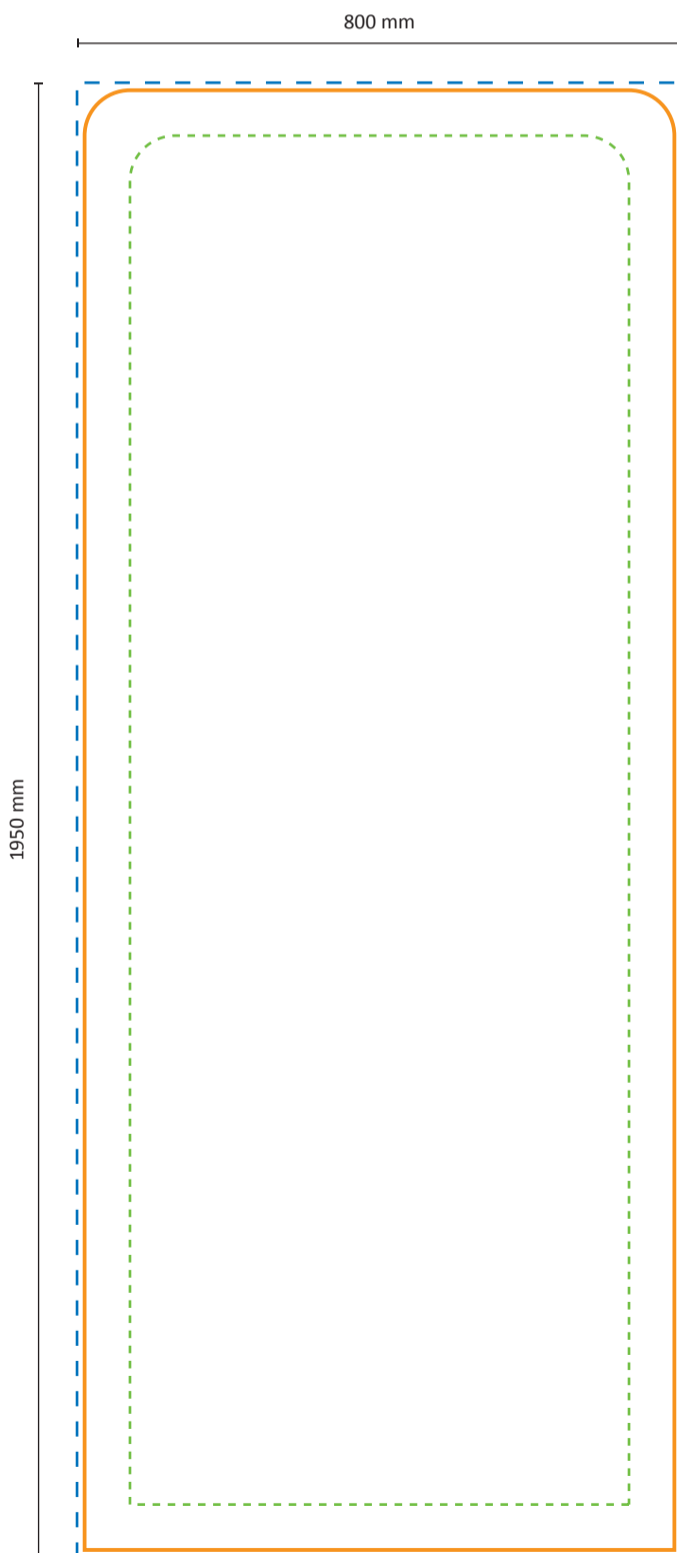
### Frame



### Graphic

Actual size of graphic:

800 \* 1950 mm (W/H)

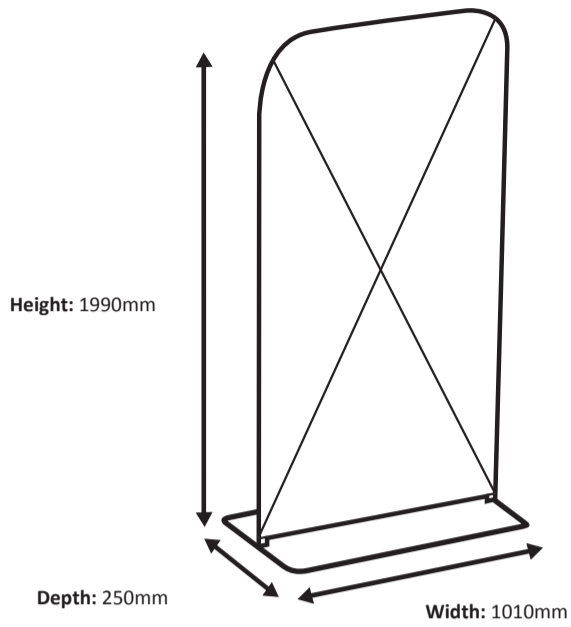


Scale 1:10

# Zipper-Wall Banner 100 x 200cm Graphic (ZWB100-200)

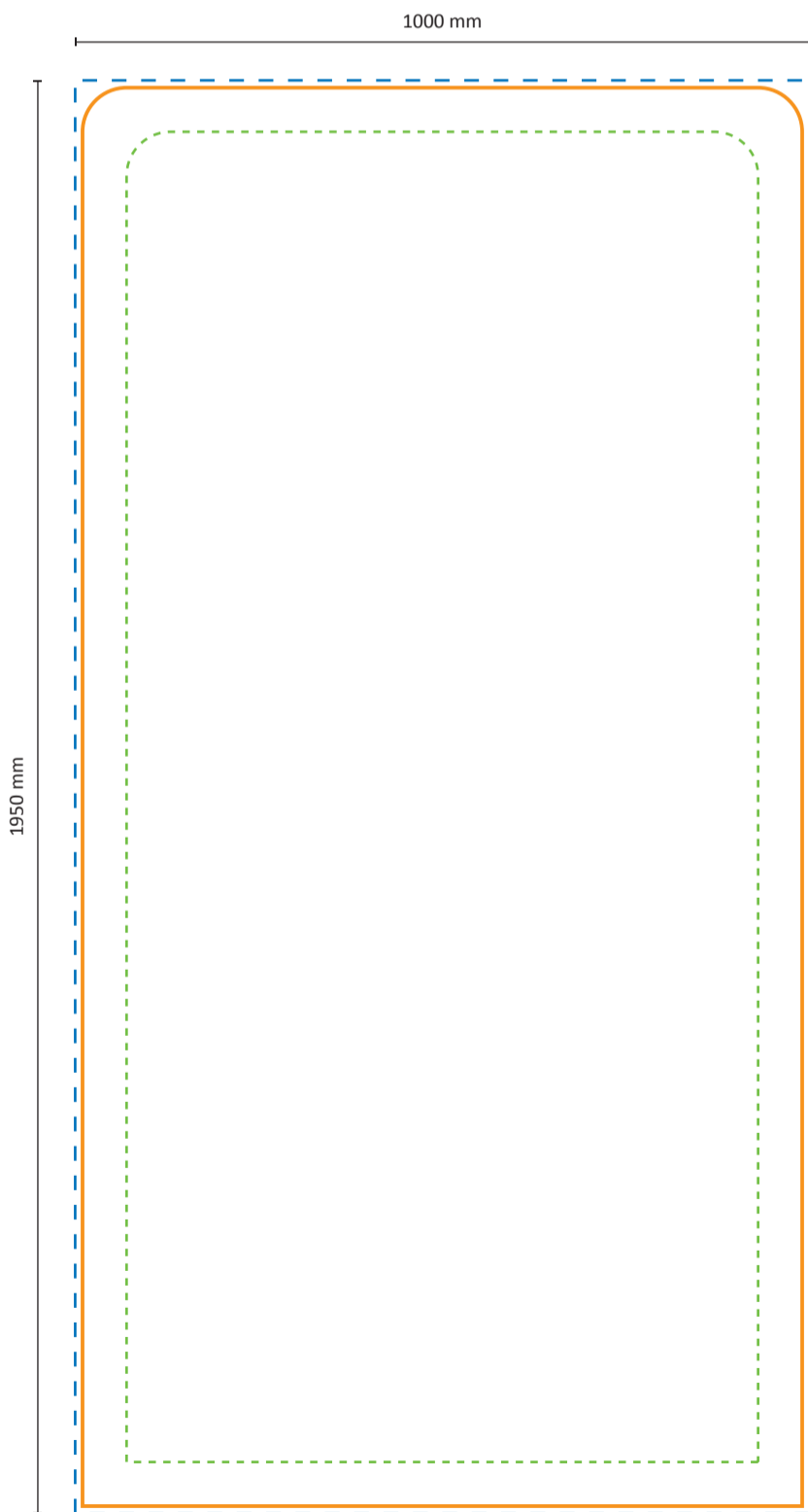
## Specifications

### Frame



### Graphic

Actual size of graphic: 1000 \* 1950 mm (W/H)

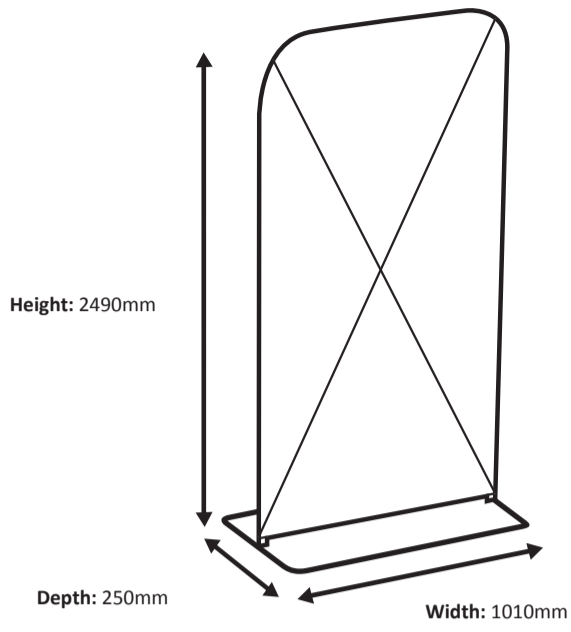


Scale 1:10

# Zipper-Wall Banner 100 x 250cm Graphic (ZWB100-250)

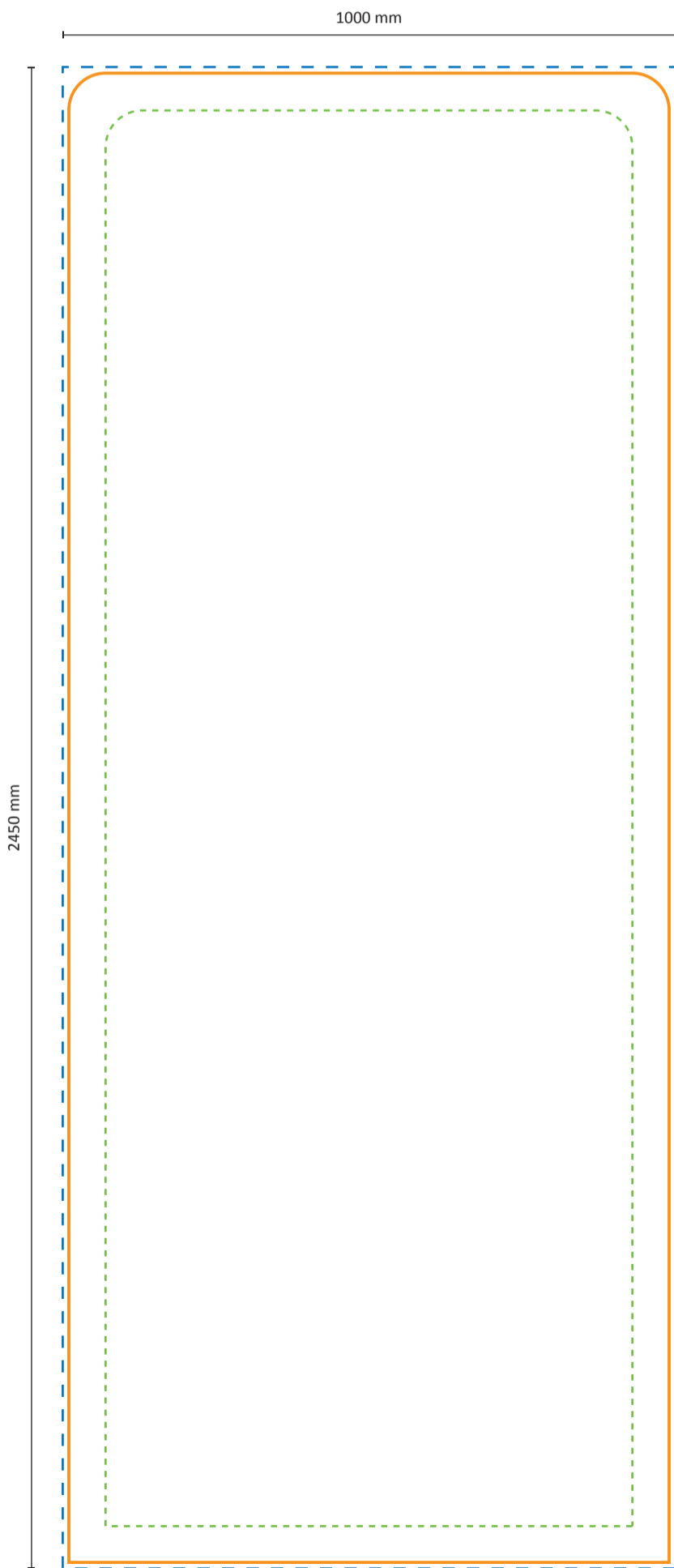
## Specifications

### Frame



### Graphic

Actual size of graphic: 1000 \* 2450 mm (W/H)



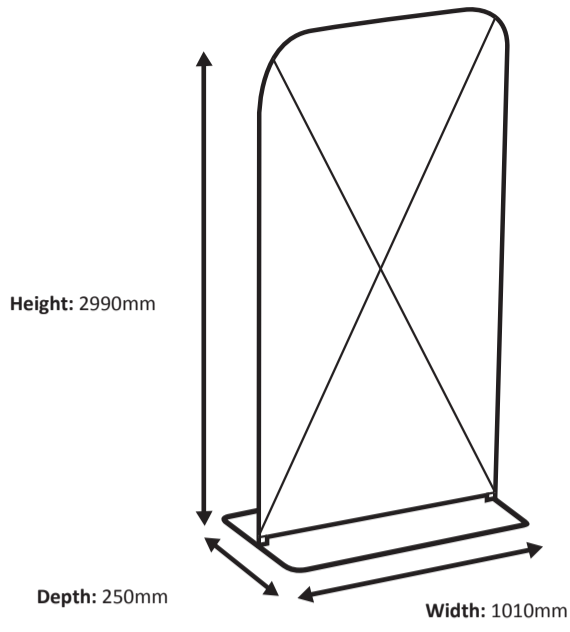
Scale 1:10



# Zipper-Wall Banner 100 x 300cm Graphic (ZWB100-300)

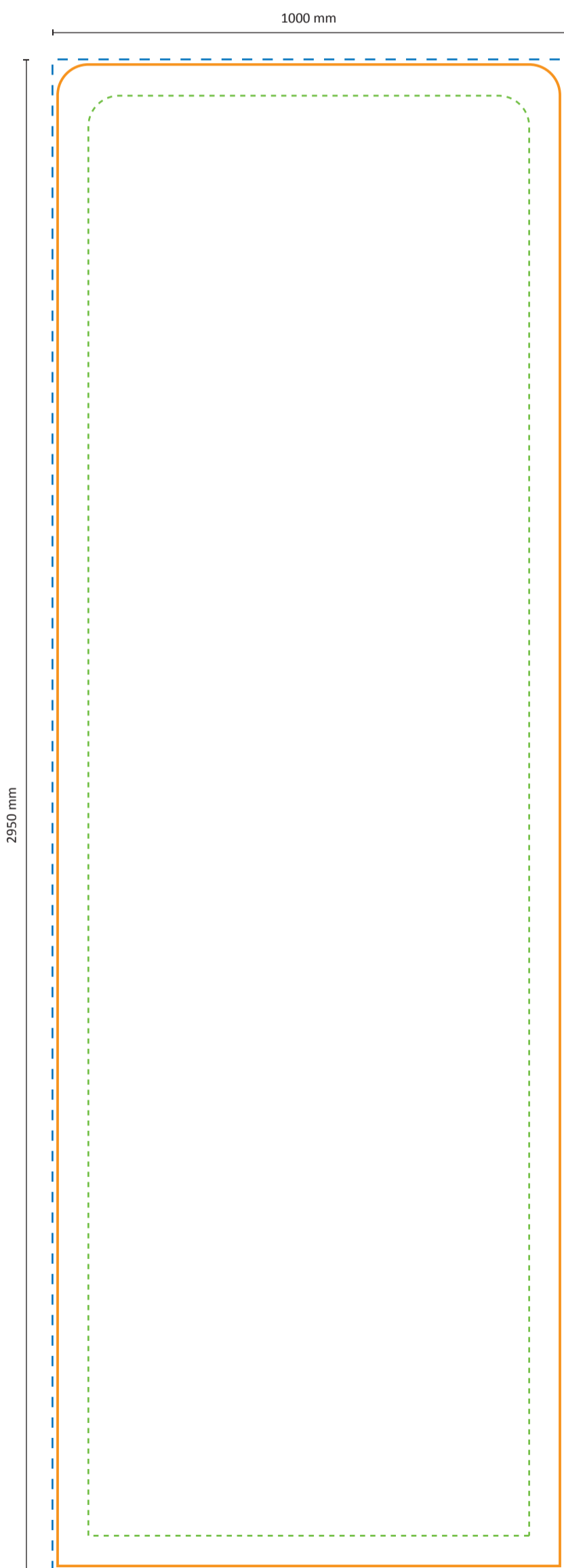
## Specifications

### Frame



### Graphic

Actual size of graphic: 1000 \* 2950 mm (W/H)



Scale 1:10